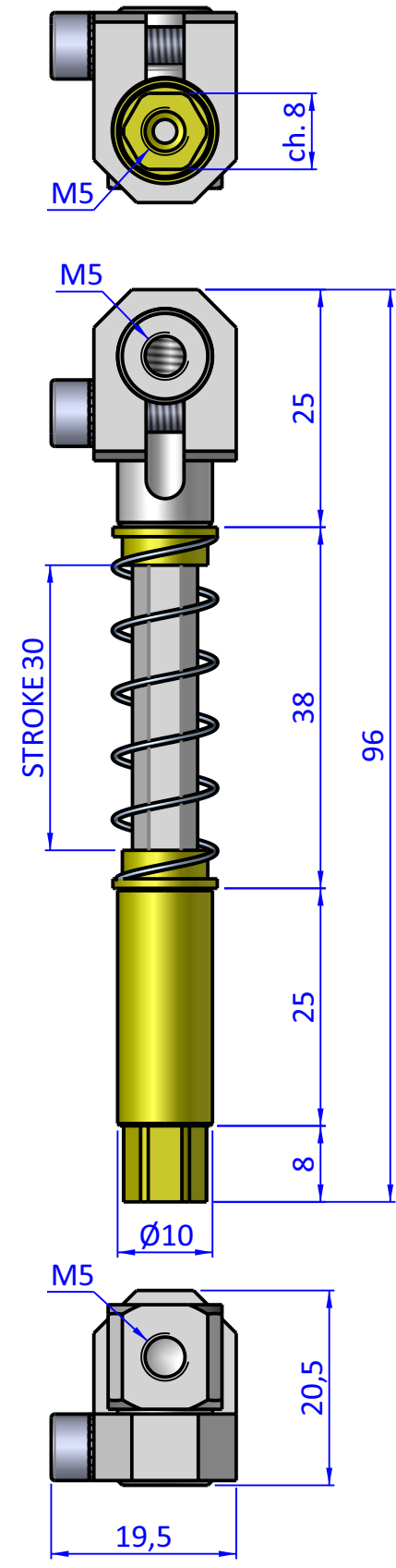
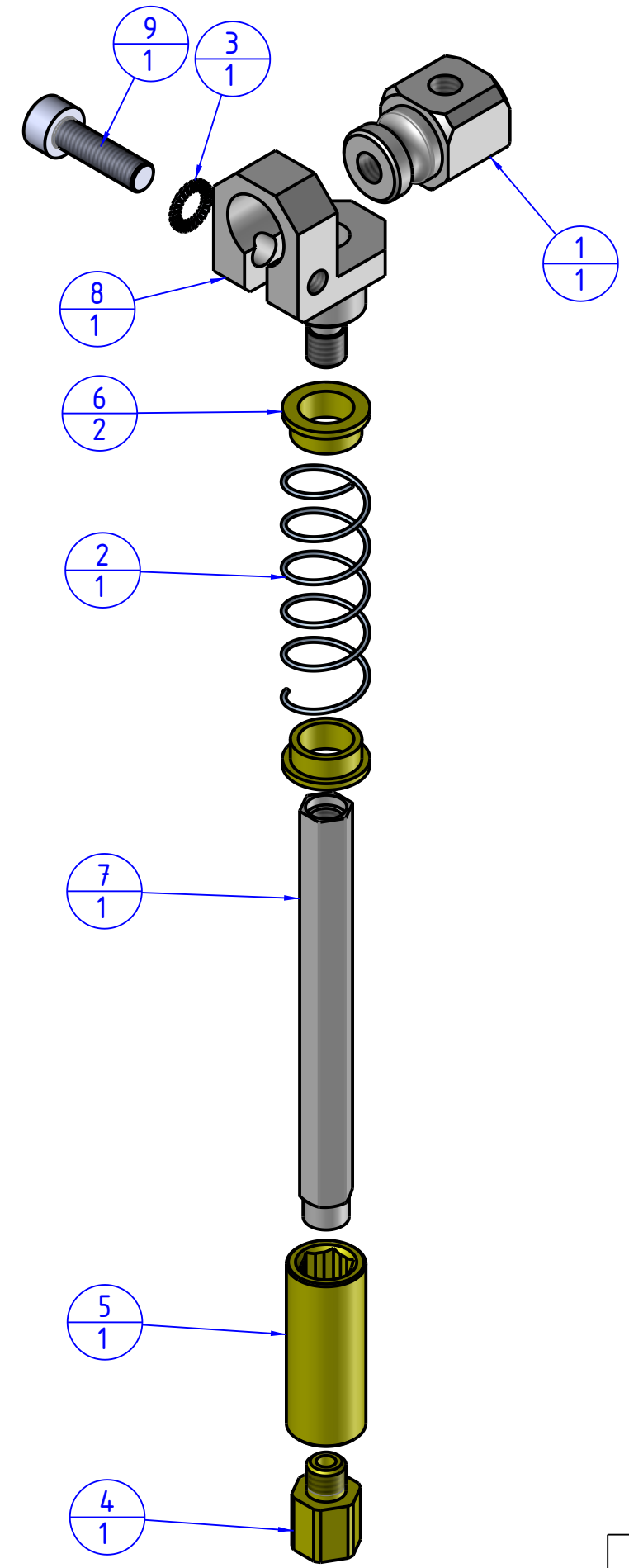



THE PROPERTY OF THE DRAWING IS ESTABLISHED BY LAW. IT IS FORBIDDEN TO PRODUCE OR SHOW IT TO THIRD PART, WITHOUT A WRITTEN AGREEMENT.

Item	Name	Q.ty
1	GGB.10.5.5	1
2	M.10.5x48B	1
3	R.4.SCH	1
4	SAE.10050510.1	1
5	SAE.10050510.3	1
6	SAE.10050510.4	2
7	SAE.10050530.1	1
8	SSN.10100505.1	1
9	V.TCE4x14	1



Format A3  
UNI 936-76

 FPS SERVICES AUTOMATION		DESIGNED FROM		REVIEW
		FPS Automation		A
GENERAL TOLERANCE		DATE	WEIGHT	
UNI - ISO 2768		07/05/2024	0,031kg	
CLASSE f		CODE		
CA.SAS.10050530		CA.SAS.10050530		